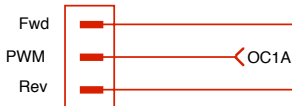
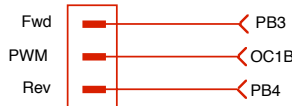


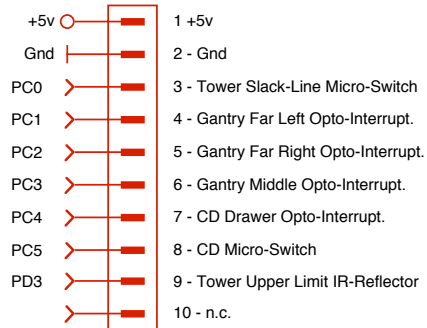
3 Pin Header - Gantry Motor H-Bridge



3 Pin Header - Tower Motor H-Bridge



10 Wire Ribbon Cable to Sensors



2x3 Header for ICSP (On Olimex)

